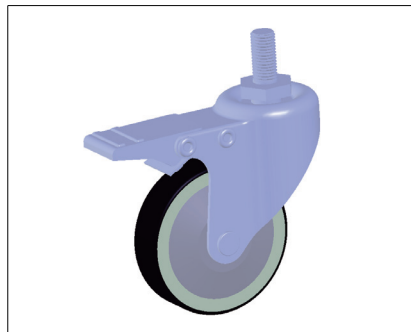
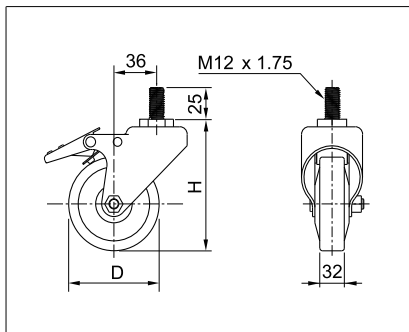


DBASIX

28 OD Pipe Castor Wheel

脚轮



Part No 型号	Description 内容	D × H MM	Load Capacity 极限载荷 / KG	Type 类型	Weight 重量 / KG	Wheel Material 脚轮材质
003.0002.007.01	BTSR-75SB	75 × 108	100	Threaded Stem Type / Swivel With Brake	0.82	Rubber
003.0002.007.02	BTSU-75SB	75 × 108	100		0.75	PU
003.0002.007.03	BTSRE-75SB	75 × 108	100		0.81	Rubber - ESD
003.0002.008.01	BTSR-100SB	100 × 133	100		1.05	Rubber
003.0002.008.02	BTSU-100SB	100 × 133	100		0.89	PU
003.0002.008.03	BTSRE-100SB	100 × 133	100		0.95	Rubber - ESD