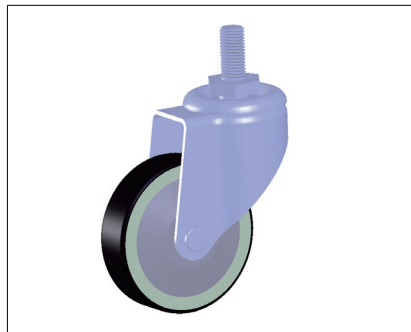
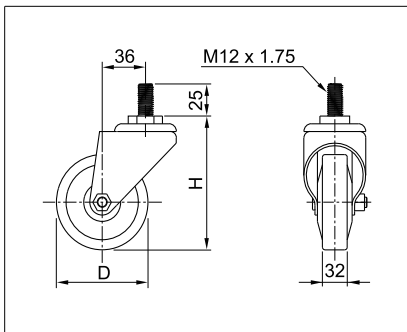


# DBASIX

28 OD Pipe Castor Wheel

脚轮



Part No 型号	Description 内容	D × H MM	Load Capacity 极限载荷 / KG	Type 类型	Weight 重量 / KG	Wheel Material 脚轮材质
003.0002.005.01	BTSR-75S	75 × 108	100	Threaded Stem Type / Swivel	0.68	Rubber
003.0002.005.02	BTSU-75S	75 × 108	100	Threaded Stem Type / Swivel	0.61	PU
003.0002.005.03	BTSRE-75S	75 × 108	100	Threaded Stem Type / Swivel	0.66	Rubber - ESD
003.0002.006.01	BTSR-100S	100 × 133	100	Threaded Stem Type / Swivel	0.87	Rubber
003.0002.006.02	BTSU-100S	100 × 133	100	Threaded Stem Type / Swivel	0.71	PU
003.0002.006.03	BTSRE-100S	100 × 133	100	Threaded Stem Type / Swivel	0.79	Rubber - ESD